

INSTRUCTION MANUAL

MCW-47C 2 in 1 Mechanics Creeper & Seat Combination Heavy Duty 150kg Load Capacity





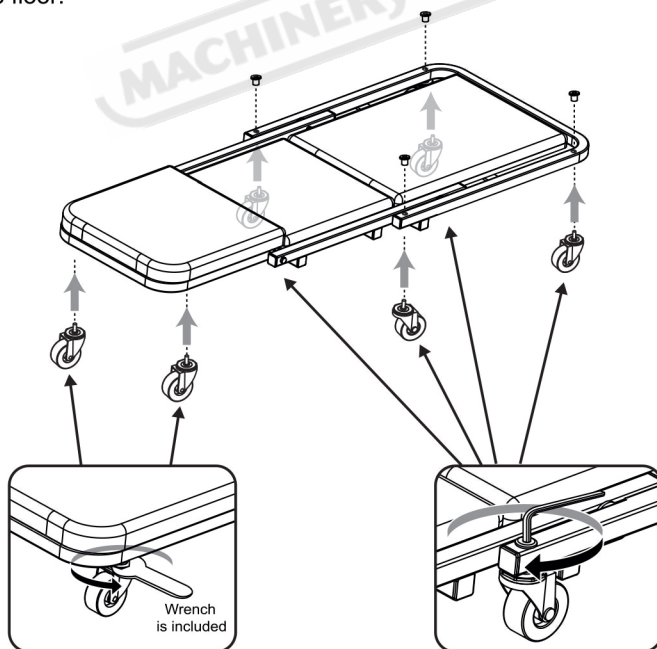
Assembly and Operation Instructions



Code A006

Assembly Instruction

Insert the 6 castors into the frame of the assembled creeper body so that the castor wheels will contact the floor.



Converting To Seat

1. Referring to fig. 1, locate and unlock the lock pin by pulling it out until the locking mechanism has been disengaged. Flip the front section of the creeper (head frame) towards the end until the lock pin can engage the creeper seat locking sleeve (see fig. 3).
2. Flip the head frame section to the other side until horizontal (see fig. 2).



fig. 1



fig. 2



fig. 3

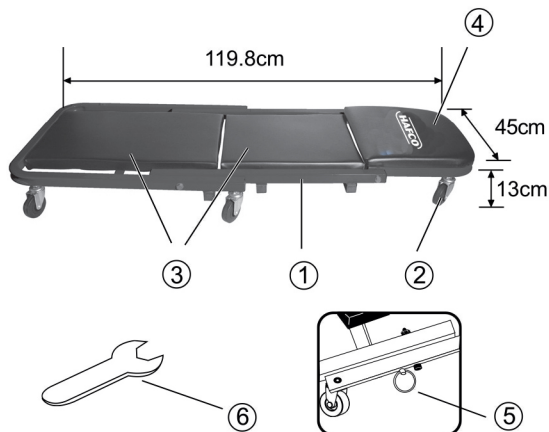
3. Reverse the steps to convert the creeper seat to creeper.

Caution: Do not allow children to use this creeper. Sit down gently. Avoid shock loads caused by jumping or falling onto the seat. Do not stand on the seat.

Maintenance

1. Wipe down cushion with a damp cloth.
2. Clean off any grease or debris which accumulates on casters.
3. Check hardware and tighten if necessary.

Parts List	
Part No.	Description
1.	Frame
2.	Casters (6 pieces)
3.	Body cushion
4.	Head cushion
5.	Lock pin
6.	Wrench



Specifications:

Maximum weight capacity: 150kgs

Overall dimensions: 119.8cm (L) x 45cm (W) x 13cm (H)

Casters: 6 @ 2.5 inches diameter